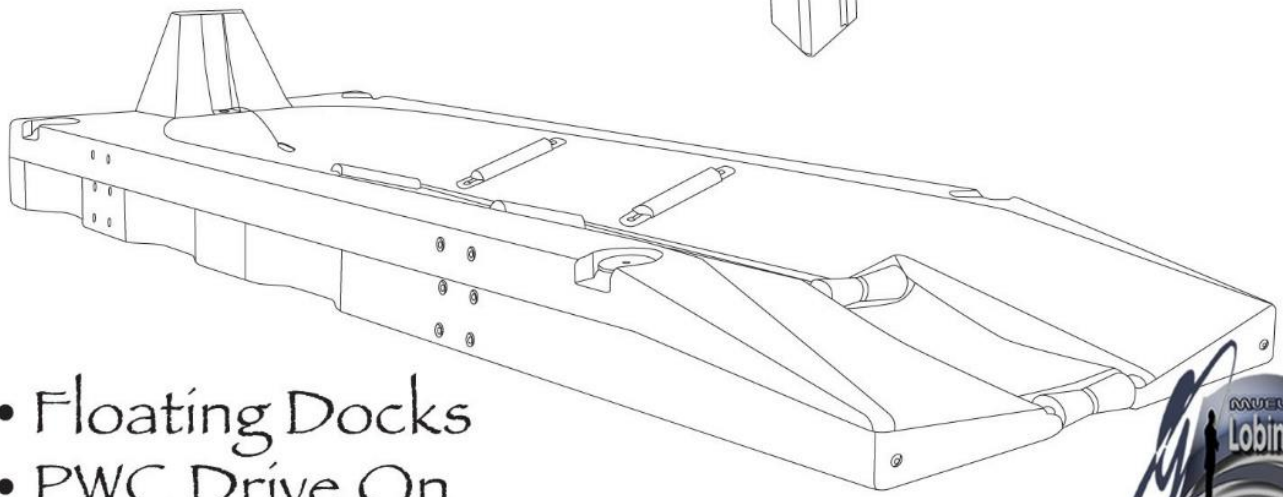
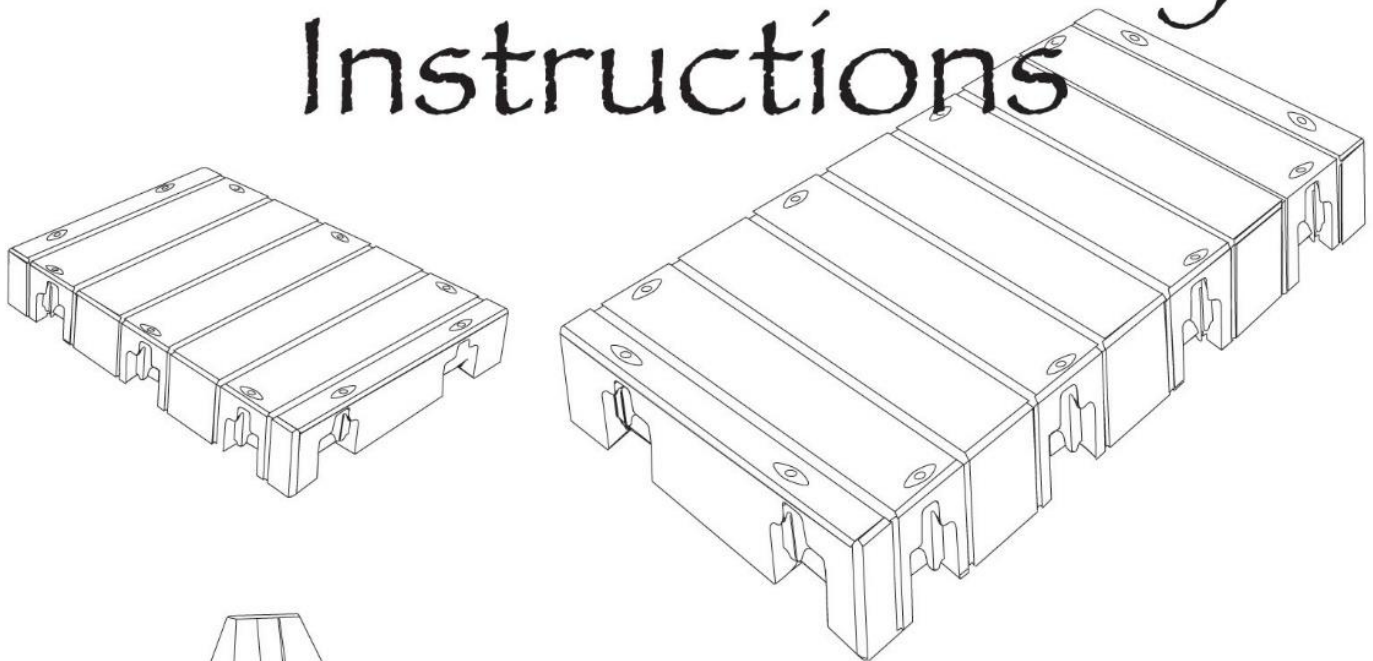




# Marine Assembly Instructions



- Floating Docks
- PWC Drive On



Make a connection to Life™

[ventas@lobineando.com](mailto:ventas@lobineando.com) / [info@lobineando.com](mailto:info@lobineando.com)

## Installation

---

Please note that placing a dock in an unsuitable location may void any warranty provided by Connect-A-Dock. Please contact Connect-A-Dock or your local distributor or dealer if you have any questions regarding the suitability of your particular dock location.

## Storage

---

When storing the Connect-A-Dock outside, the walking surface of the dock needs to face up. If stored upside down, water can get inside the docks through vent holes that allow air expansion.

## Cleaning

---

For low maintenance cleaning use a stiff broom or brush with a garden hose. A pressure washer with no heat can also be used. When using soap, use an environmentally safe product.

## Anchoring

---

Dock anchoring methods listed in this instruction manual are only suggestions. It is up to you to determine which method suits your needs.

## Live Load

---

1000 Series (LP): 35 lbs per square foot (170 kg per square meter)

2000 Series (HP): 75 lbs per square foot (365 kg per square meter)

Connect-A-Port: 1500 lbs (680.9 kg)

## Connector Sockets

---

1000 Series (LP): ~15" (38.1 cm) apart

2000 Series (HP): ~24" (60.96 cm) apart

## Torque Specs

---

Tighten all 1000 Series (LP) and 2000 Series (HP) Connector hardware bolts to 25 lbs/ft (3.46 kg/m) of torque. Check all bolts every three months or as needed to insure all connector hardware is securely fastened.

All specifications provided by Connect-A-Dock are based upon connect-a-dock test data and are provided without representation or warranty. Actual specifications, weights and dimensions may vary for a variety of reasons, including, without limitation, due to the rotational molding process. Specifications should be regarded as nominal values only and not as binding actual values. Please contact Connect-A-Dock if you have specific questions regarding the specifications of any Connect-A-Dock product.

## Connect-A-Port™ Product Installation and Use Warning Disclaimer

---

Repairs of a Connect-A-Port should only be performed by an authorized Connect-A-Port technician. If repair is performed by unauthorized persons, serious personal injury and/or property damage could occur.

If unauthorized personnel repair a Connect-A-Port, Connect-A-Dock hereby disclaims any and all warranties, expressed or implied. Connect-A-Dock limits its warranty to Connect-A-Dock's published Connect-A-Port warranty furnished with each product. No other warranty of any kind either verbal or implied including warranties of merchantability and fitness for a particular purpose are recognized.

The contents of this manual are subject to change without notice and should not be construed as a commitment, representation, warranty or guarantee of any method, product or device by Connect-A-Dock.

Reproduction or translation of any part of this manual, without the written permission of Connect-A-Dock, is prohibited.

Any inquiries concerning the Connect-A-Port published warranty or this manual and its contents please contact Connect-A-Dock.

## Stainless Steel

---

Connect-A-Dock products use marine grade stainless steel for stainless steel metal components. Stainless steel may stain, discolor or attain an adhering layer of grime under normal service, and, especially, when used in salt water conditions. Any contamination of the metal surface by dirt, or other material, can reduce corrosion protection. Some corrosion can also occur when stainless steel comes in contact with dissimilar metals. The removal of dirt, grime and surface stains that occurs during normal handling and exposure to the elements is essential for optimum corrosion resistance to prevent surface staining (corrosion) or pitting.

Dirt, grime and surface stains that occur during normal use and exposure to the elements should be cleaned with warm water with or without a gentle detergent, soap or ammonia. (Caution, do not use ammonia near anodized aluminum). Persistent stains can be removed with mild non-scratching abrasive powders such as typical household cleaners used with warm water, bristle brush, sponge or clean cloth followed by a rinse with clean water and wiped dry. Stubborn stains can be removed by using a damp cloth and a commercial stainless steel cleaner and polish, rubbing lightly in the direction of the polish lines on the stainless steel, then rinsing with clean water and wiping dry.





# 1000 Series Low Profile (LP) Dock

www.connectadock.com




www.lobineando.com

## Tools Needed

9/16" (16 mm) Socket wrench  
Long rope for holding docks to shore.

**Before you begin: Determine the layout and location of your dock.**

## Hardware Included

3/8" x 1-1/4" (10 mm x 35 mm)   
Hex bolts  
Diamond washers   
Bushings 

## Step 1

Install Float Connectors into all Float Section sockets where other Float Sections will be attached. Secure Float Connectors into sockets with bolts, washers, and bushings provided (**hand tighten only**). Connect 2 or 3 Float Sections prior to placing into the water. Place Float Sections into water, secure to shore temporarily with rope.

## Step 2

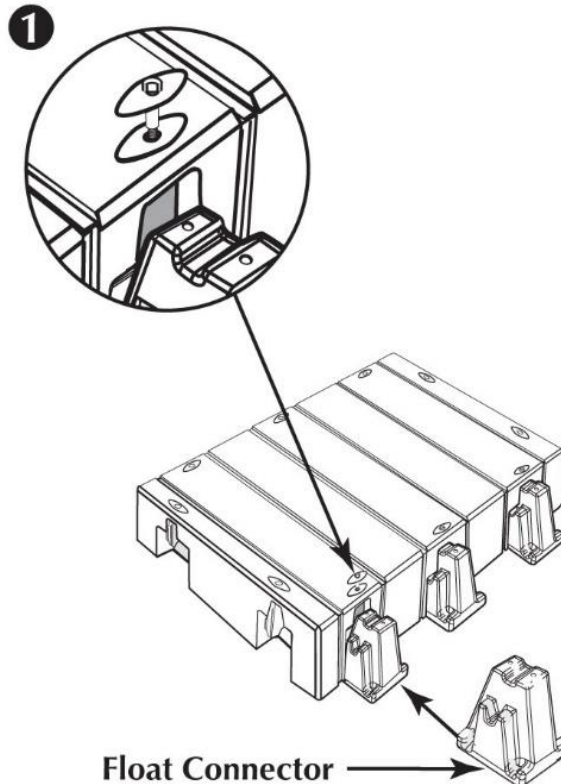
Position yourself carefully on the floating Float Section(s). Continue adding Float Sections by placing them over the Float Connectors, shift your body weight to the new Float Section. Secure with bolts, washers, and bushings.

## Step 3

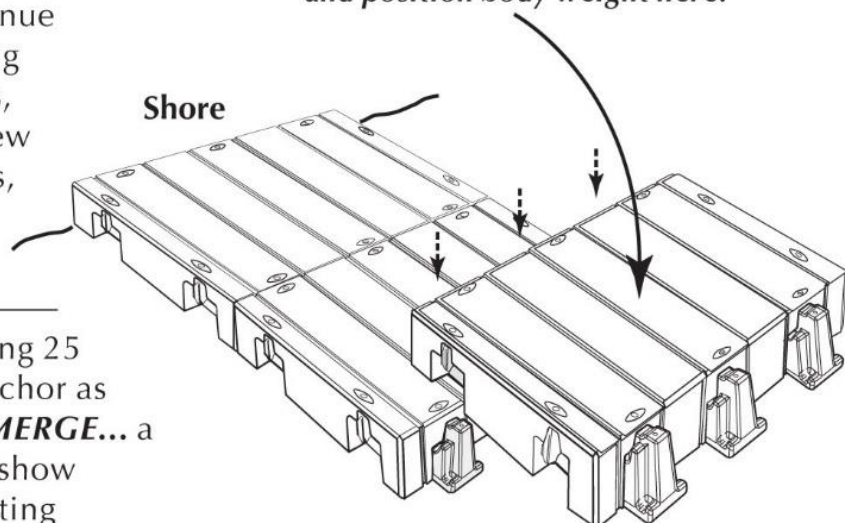
Tighten all bolts in the dock using 25 lbs/ft (3.46 kg/m) of torque. Anchor as desired. **NOTE: DO NOT SUBMERGE...** a minimum of 2" (5.08 cm) must show above the water surface for venting purposes.

## Instructions for:

Float Section (FS1030),  
(FS1060)  
Float Connector (FC1010),  
(FC1010M)



**2** **Align Float Section with Float Connectors and position body weight here.**



Note: Check all bolts every three months or as needed to insure all connector hardware is securely fastened.



1501 Owner Avenue, Atlantic, IA 50022 USA  
ventas@lobineando.com / info@lobineando.com

# 1000 Series (LP) Corner Float Section

[www.connectadock.com](http://www.connectadock.com)

[www.lobineando.com](http://www.lobineando.com)

## Tools Needed

9/16" (16 mm) Socket wrench

## Instructions for:

Corner Float Section (CFS1010)

**The Corner Float Section adds strength, stability and more walking space to the fingers of your dock.**

## Hardware Included

3/8" x 1-1/4" (10 mm x 35 mm)

Hex bolts

Diamond washers

Bushings



## Step 1

Install four Float Connectors into Float Section sockets where the Corner Float Section will be attached. Secure Float Connectors into sockets with bolts, washers, and bushings as shown (**Hand tighten only**).

## Step 2

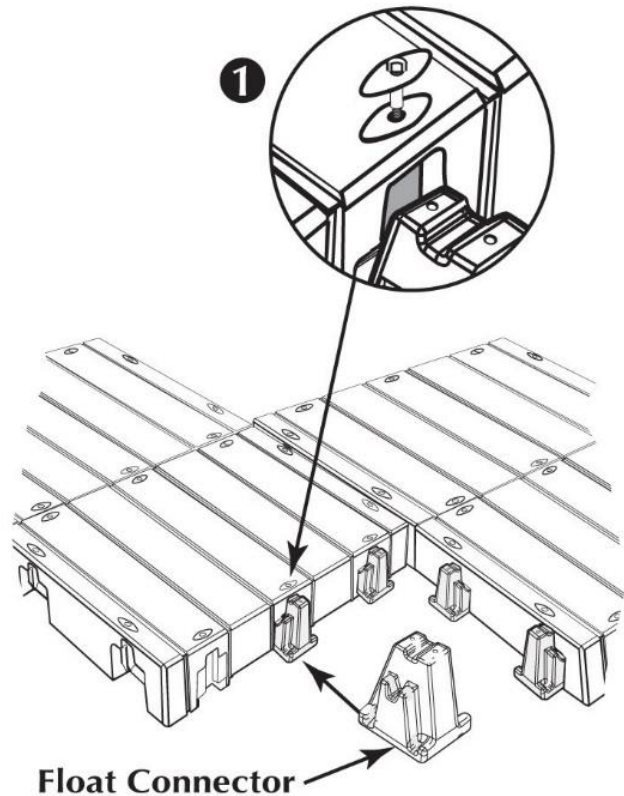
Place the Corner Float Section over the Float Connectors, then shift your body weight carefully from the dock to the Corner Float Section to hold it in place. Secure with bolts, washers, and bushings as in Step 1.

## Step 3

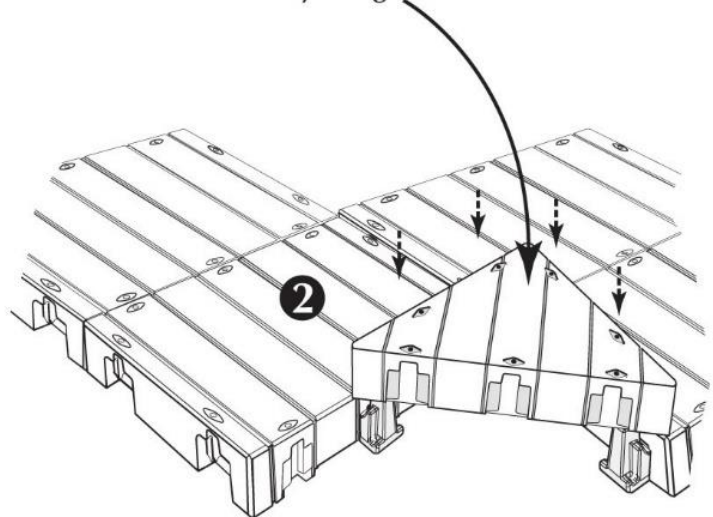
Tighten all bolts in the dock using 25 lbs/ft (3.46 kg/m) of torque. Anchor as desired.

**NOTE: DO NOT SUBMERGE...**

a minimum of 2" (5.08 cm) must show above the water surface for venting purposes.



**Align Corner Float Section with Float Connectors and position body weight here.**



Note: Check all bolts every three months or as needed to insure all connector hardware is securely fastened.



1501 Owner Avenue, Atlantic, IA 50022 USA



[ventas@lobineando.com](mailto:ventas@lobineando.com) / [info@lobineando.com](mailto:info@lobineando.com)





# 1000 Series (LP) Extra Flotation

[www.connectadock.com](http://www.connectadock.com)

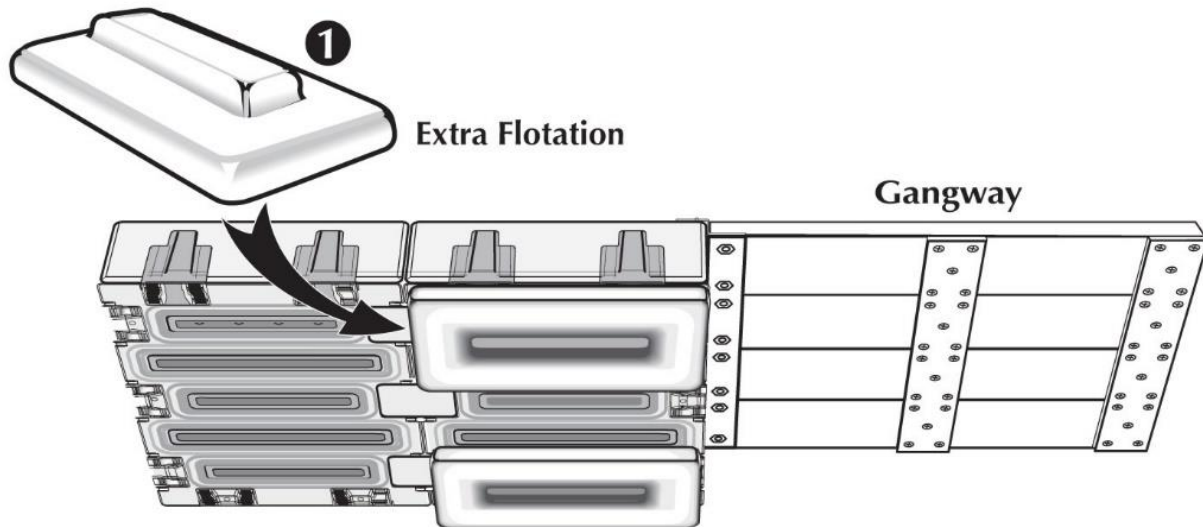
[www.lobineando.com](http://www.lobineando.com)

## Step 1

After the dock is placed into the water, snap the raised portion of the Extra Flotation up and into the air chamber on the bottom of the Float Section as shown by pushing Extra Flotation down into the water and under the Float Section.

## Instructions for:

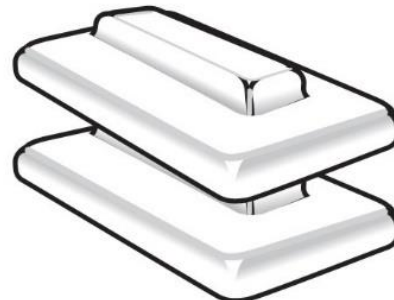
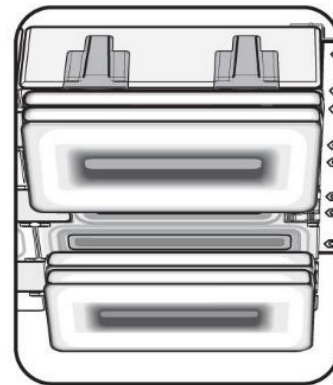
Extra Flotation (EF1010)



## Recommendation

Use Extra Flotation whenever extra weight is added to your dock for additional buoyancy and stability. For added stability, place Extra Flotation at the end and at the corners of a dock. Extra Flotation can also be stacked into another Extra Flotation when more stability is needed.

A 5' (1.524 m) to 10' (3.048 m) gangway requires Extra Flotation.



Note: A 1000 Series Extra Flotation will add 60 lbs. (27.22 kg) of buoyancy to a 1000 Series Float Section.



1501 Owner Avenue, Atlantic, IA 50022 USA  
[ventas@lobineando.com](mailto:ventas@lobineando.com) / [info@lobineando.com](mailto:info@lobineando.com)



## Tools Needed

3/4" Socket wrench  
 5/8" Wrench or Socket wrench  
*Not available in metric*

## Items Included

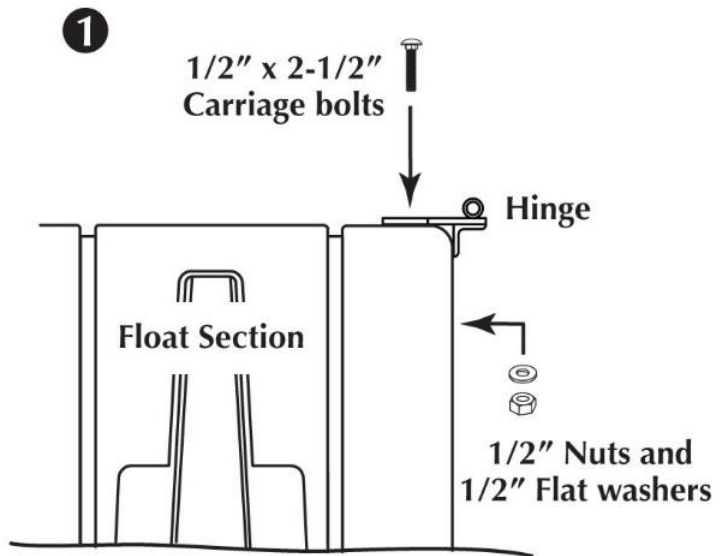
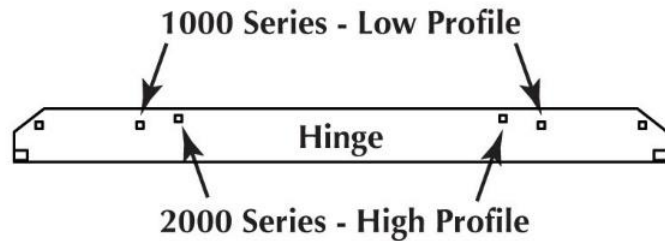
- (1) Gangway Frame
- (1, 2 or 3) Decking Panel(s)
- (1) Hinge
- (2) 1/2" x 2-1/2" Carriage bolts
- (2) 7/16" x 2 3/4" Hex bolts
- (2) 1/2" Nuts
- (2) 7/16" Nylock nuts
- (2) 1/2" Flat washers
- (2) 7/16" Flat washers

## Step 1

Place Hinge on Float Section and line up Hinge holes with Float sockets. Secure Hinge to Float Section using Carriage bolts, Flat washers and Nuts.

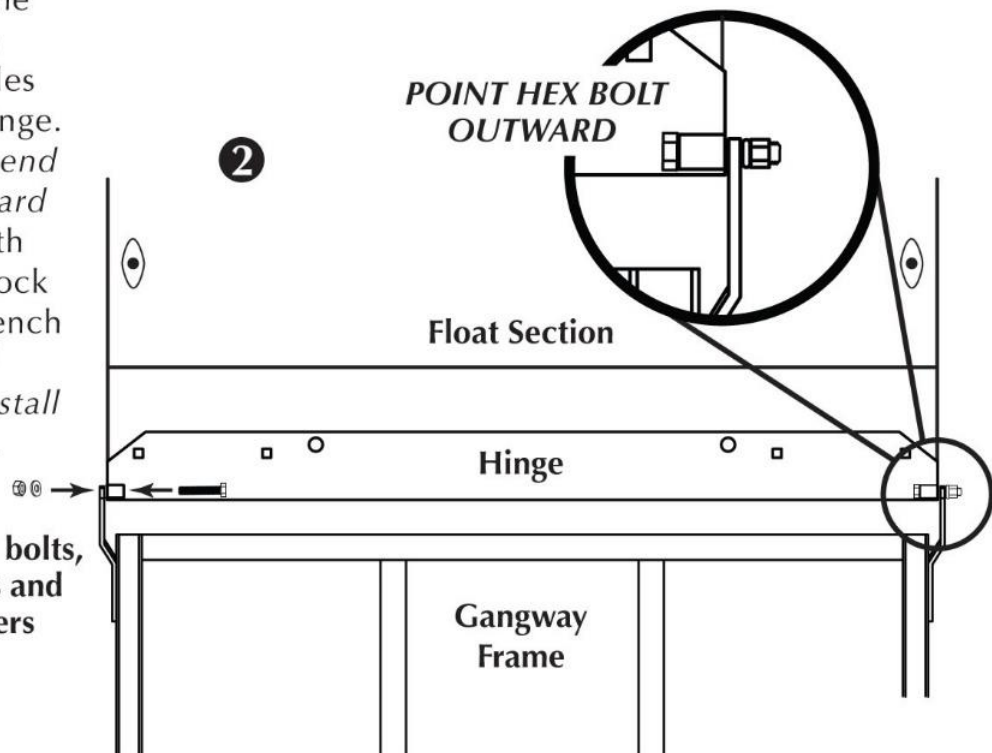
## Instructions for:

Gangway (GW1024), (GW1028),  
 (GW1032)



## Step 2

Attach Gangway Frame to Hinge by lining up brackets with the holes on the sides of the Hinge. Insert Hex bolts with *end of bolt pointing outward* as shown. Secure with Flat washers and Nylock nuts using Socket wrench and wrench. *Note: If adding a Roller Kit-Install Rollers before Step 3.*



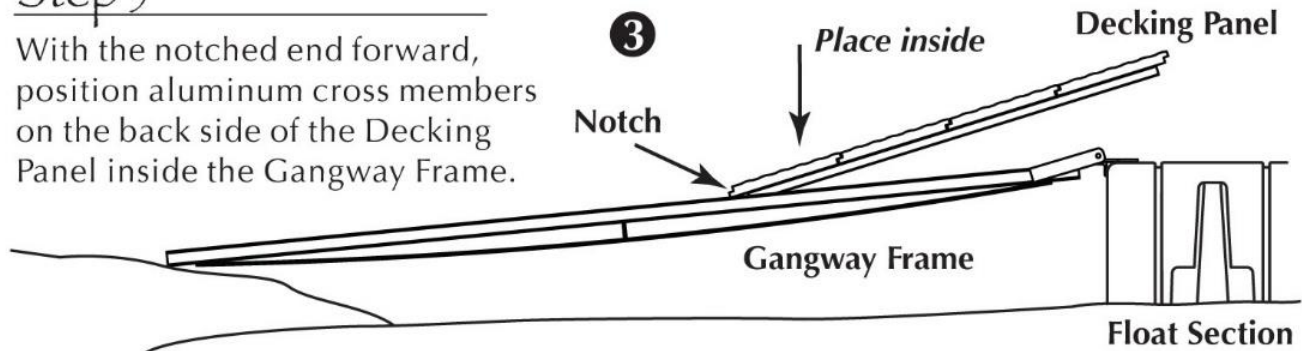
# Gangway

www.connectadock.com

www.lobineando.com

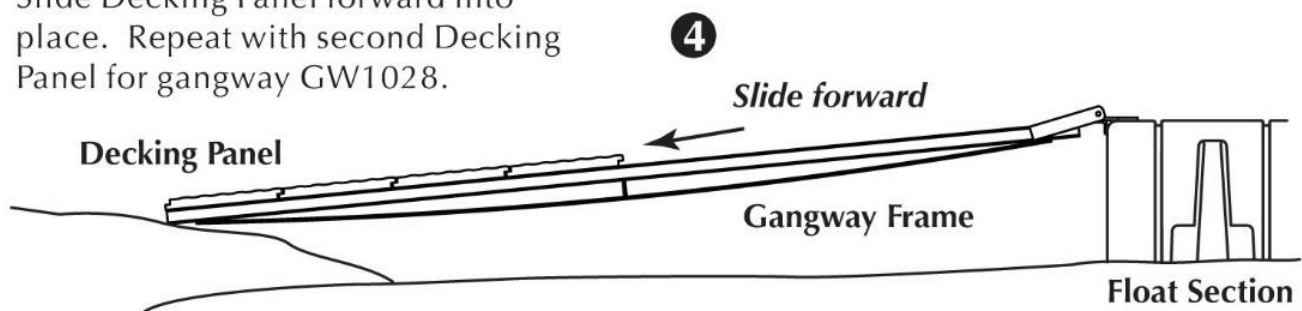
## Step 3

With the notched end forward, position aluminum cross members on the back side of the Decking Panel inside the Gangway Frame.



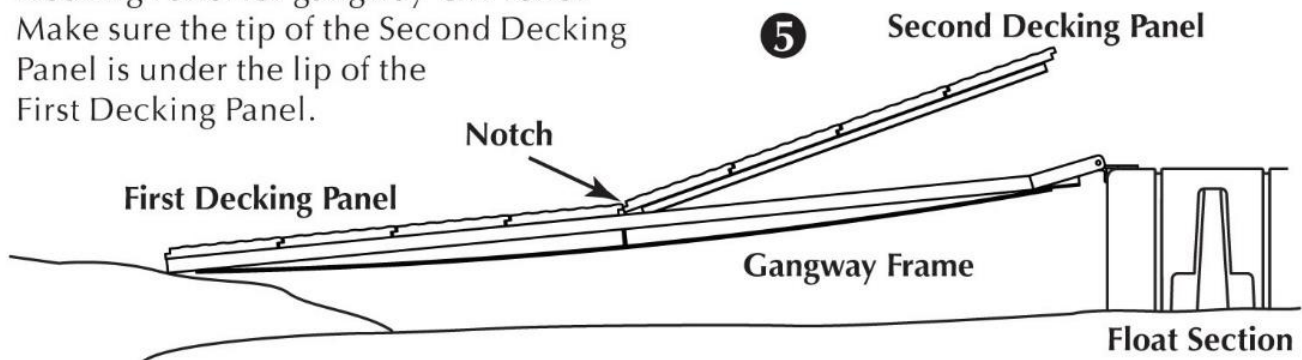
## Step 4

Slide Decking Panel forward into place. Repeat with second Decking Panel for gangway GW1028.

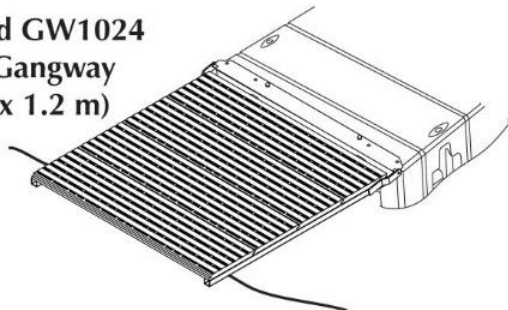


## Step 5

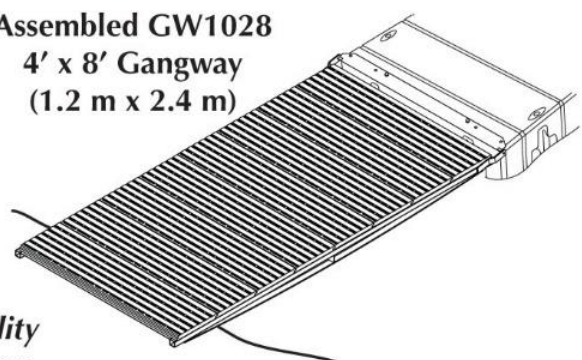
Repeat Step 3 and Step 4 with second Decking Panel for gangway GW1028. Make sure the tip of the Second Decking Panel is under the lip of the First Decking Panel.



Assembled GW1024  
4' x 4' Gangway  
(1.2 m x 1.2 m)



Assembled GW1028  
4' x 8' Gangway  
(1.2 m x 2.4 m)



**Recommendation:** To add more buoyancy and stability with Gangway, use Extra Flotation under Float Section.

Note: Check all bolts every three months or as needed to insure all connector hardware is securely fastened.



1501 Owner Avenue, Atlantic, IA 50022 USA  
ventas@lobineando.com / info@lobineando.com



# Gangway Roller Kit

[www.connectadock.com](http://www.connectadock.com)

[www.lobineando.com](http://www.lobineando.com)

## Tools Needed

9/16" Wrench or Socket wrench  
*Not available in metric*

## Items Included

- (4) 3/8" x 1-1/2" Hex bolts
- (4) 3/8" Nuts
- (4) 3/8" Washers
- (4) 3/8" Lock washers

## Step 1

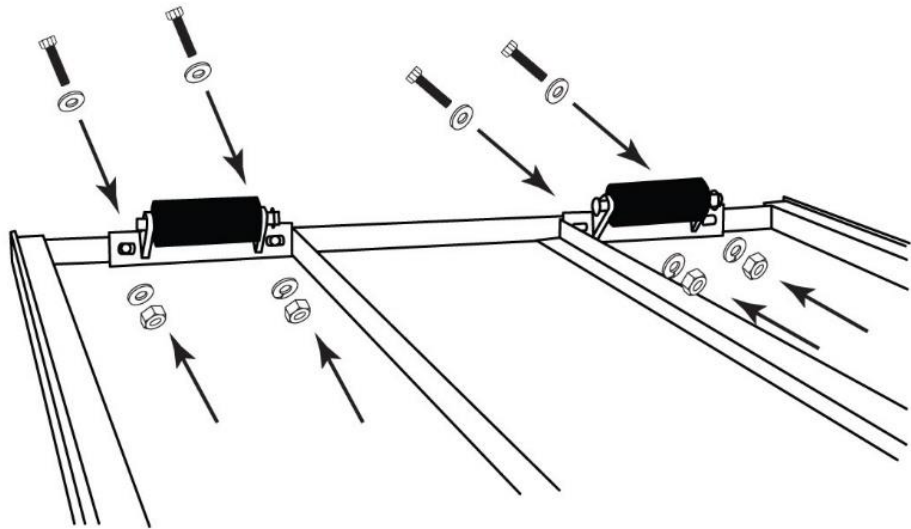
Set Gangway frame upside down on dock. Note: If Panels are on the Gangway Frame, remove before setting Frame upside down.

## Step 2

Align Rollers to holes on the inside of the Frame. Attach with Bolt head and Washer on the outside of the Frame and the Lock Washer and nut on the inside. Continue to Gangway instruction Step 3 in add Panels.

## Instructions for:

Roller Kit (RK1020)  
Gangway (GW1024), (GW1028),  
(GW1032)





# Gangway Hinge

www.connectadock.com

www.lobineando.com

## Step 5

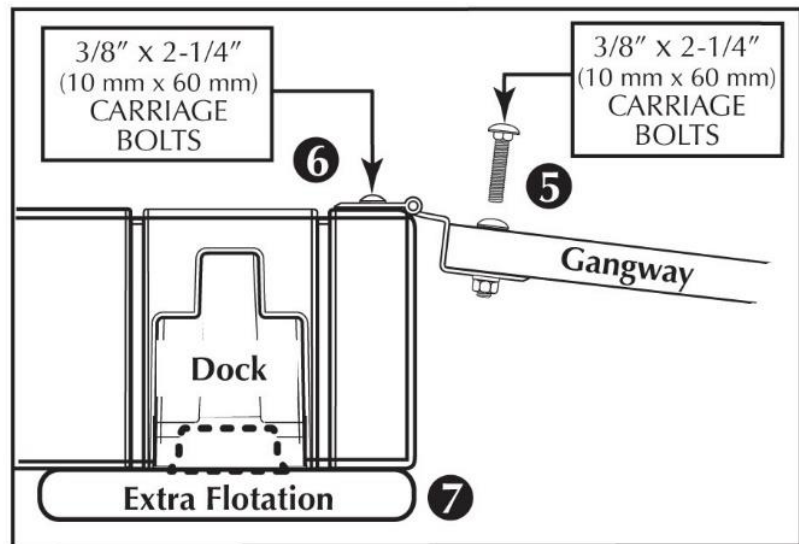
Turn gangway right side up; then place the Gangway Hinge on top deck of Float Section so square holes on Gangway Hinge match holes on Float Section.

## Step 6

Secure Gangway Hinge to Float Section with 3 carriage bolts.

## Step 7

Extra Flotation is recommended.  
*\*See Extra Flotation instructions.*



# Gangway Roller Kit

www.connectadock.com

1-877-742-3071

## Items Included

(1) Roller Kit (2 - rollers included)  
*Not available in metric*

## Materials Needed

(4) 3/8" x 4" Carriage bolts  
(4) 3/8" Split lock washer  
(4) 3/8" Hex nuts

## Step 1

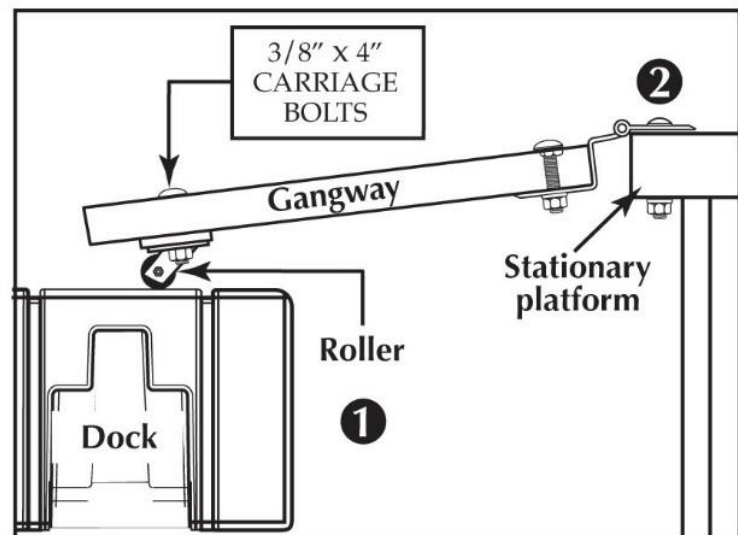
Place Rollers squarely on cross member of plank, drill bolt holes to match the oval roller holes. Use a hammer to insert four 4" carriage bolts from top side of gangway, secure from bottom with lock washers and nuts. **Don't over tighten.**

## Step 2

Place Gangway Hinge on top deck of stationary platform. Secure gangway to stationary platform with long carriage bolts. (Note: Use 3 carriage bolts.)

## Instructions for:

Roller Kit (RK1020)



# Gangway Hinge

www.connectadock.com

www.lobineando.com

## Tools Needed

Hammer  
9/16" (16 mm) socket wrench  
Drill with 3/8" (10 mm) bit and  
phillips screw driver bit

## Materials Needed

(40) 2" (5.08 cm) Steel deck screws  
(4) 2" x 12" (5.08 cm x 30.48 cm) Planks  
cut to length not exceeding 8' (2.4384 m)  
(3) 1" x 4" (2.54 cm x 10.16 cm) Planks  
cut to length for cross members

## Items Included

(1) Gangway Hinge  
(3) 3/8" x 2-1/4" (10 mm x 60 mm)  
Stainless steel carriage bolts with  
flat washers and lock nuts  
(8) 3/8" x 2-1/4" (10 mm x 60 mm)  
Stainless steel carriage bolts with  
lock washers and nuts

## Step 1

Place four planks side by side.

## Step 2

Place cross members at lower edge  
and center.

## Step 3

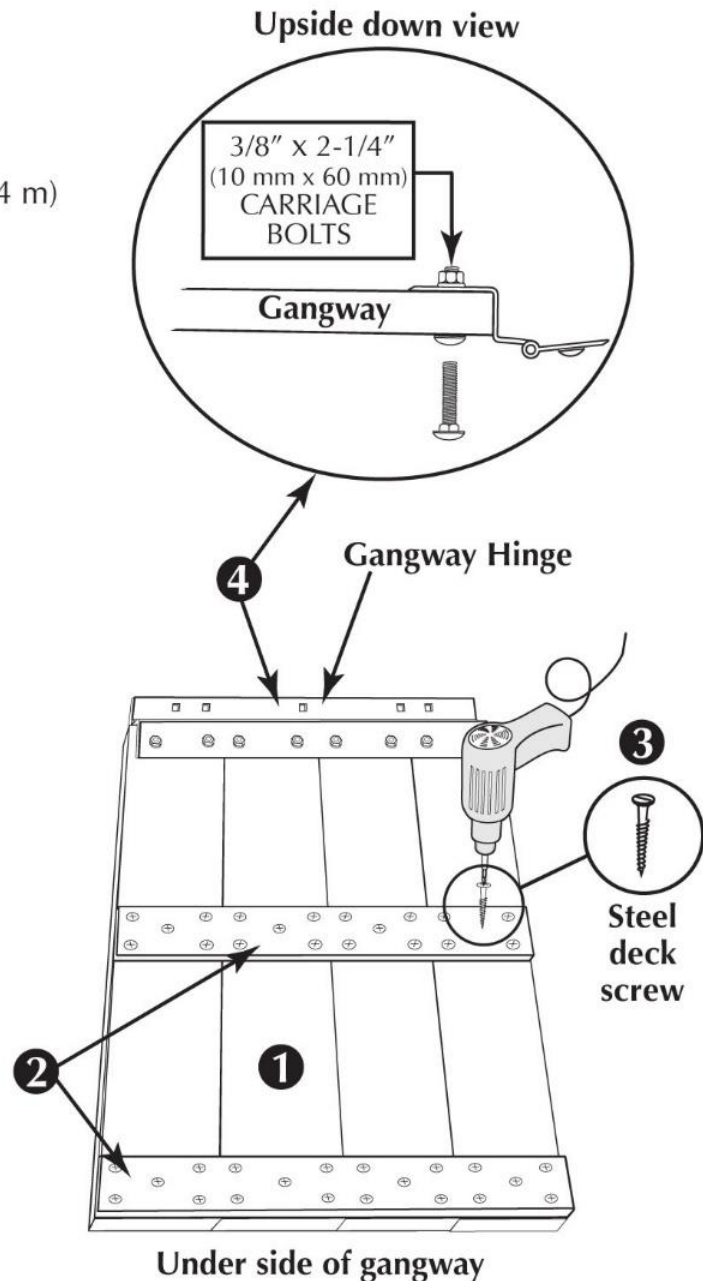
Screw cross members to planks  
with steel deck screws, as shown.

## Step 4

Place Gangway Hinge across top end  
of planks, drill bolt holes to match the  
round hinge holes. Use a hammer to  
insert eight of the carriage bolts from  
top side of gangway, secure from  
bottom with lock washers and nuts.  
Don't over-tighten.

## Instructions for:

Gangway Hinge (GH1020),  
(GH2010), (GH2010M)



Note: Check all bolts every three months or  
as needed to insure all connector  
hardware is securely fastened.

Please use safety glasses while building the gangway.



1501 Owner Avenue, Atlantic, IA 50022 USA

ventas@lobineando.com / info@lobineando.com





# Swim Ladder

www.connectadock.com

www.lobineando.com

## Tools Needed

3/8" Socket wrench (16 mm) (2000 Series)

## Hardware Included

**Both 1000 Series & 2000 Series hardware is included**

### 1000 Series—Low Profile

- (2) 1000 Series Finishing Connectors
- (2) 3/8" x 1-3/4" (10 mm x 44.45 mm) cap bolts
- (2) Round washers
- (2) Bushings
- (1) Allen wrench



### 2000 Series—High Profile

- (2) 2000 Versatile Connectors
- (2) 3/8" x 1-1/4" (10 mm x 35 mm) Hex bolts
- (2) Round washers



**Warning: Swim Ladder does not float—tether to dock before beginning installation.**

## Step 1

With the Swim Ladder in an upright position, place the bracket portion of the Swim Ladder on an outer edge of the Float Section (as shown). Align the holes in the bracket with the holes in the Float Section.

## Step 2

Holding the Swim Ladder in place, insert bushings and 1000 Series Finishing Connectors or 2000 Versatile Connectors into the two corresponding Float Section sockets.

## Step 3

Insert bolts and washers into appropriate holes on each side of the Swim Ladder bracket. Tighten with allen wrench or socket wrench.

## Step 4

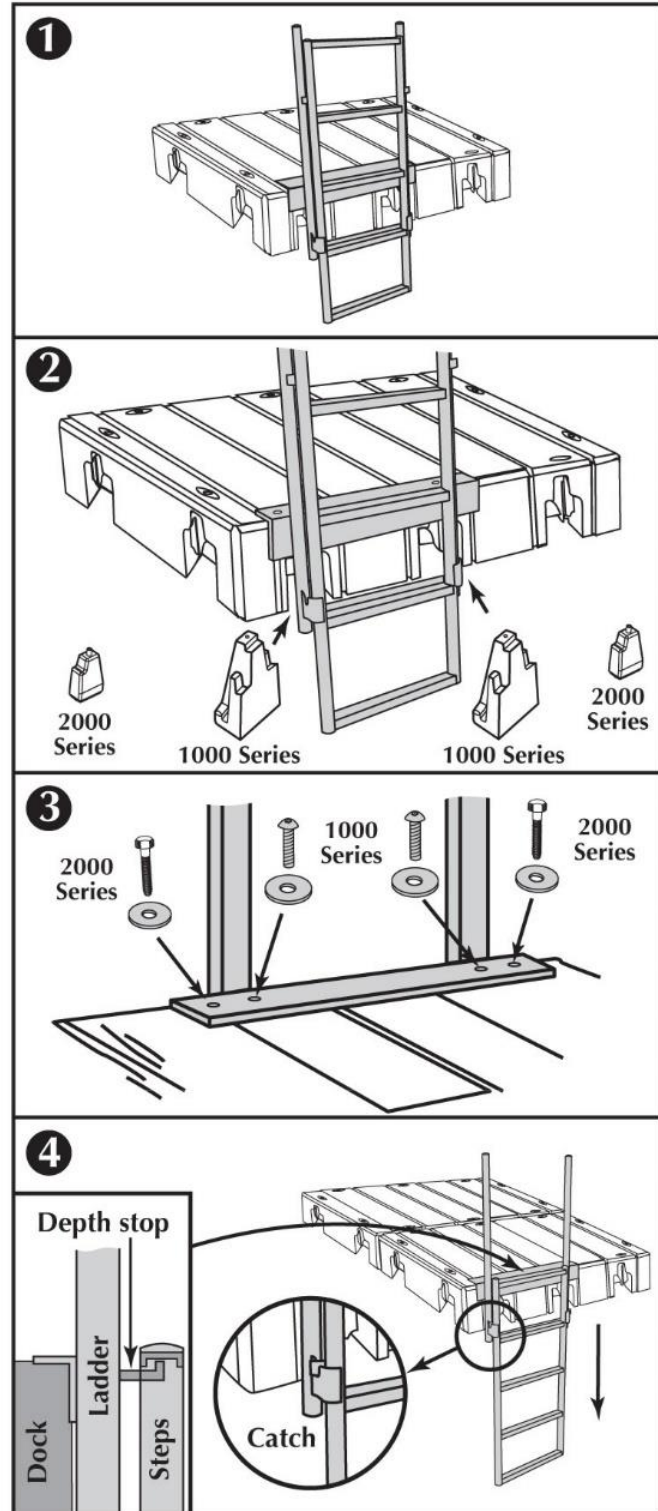
Slide adjustable steps of Swim Ladder down into water and hook the bottom of step on depth stop to achieve desired length. (Note: The catch at the bottom of Swim Ladder will keep adjustable steps from dropping off into water.)

## Instructions for:

Swim Ladder (SL1020), (SL1020M)

1000 Finishing Connector (FC1000), (FC1000M)

2000 Versatile Connector (VC2000), (VC2000M)



Recommendation: To add more stability at the Swim Ladder, use Extra Flotation under Float Section.

**Note: Check all bolts every three months or as needed to insure all connector hardware is securely fastened.**



1501 Owner Avenue, Atlantic, IA 50222 USA  
ventas@lobineando.com / info@lobineando.com

# Cleat

[www.connectadock.com](http://www.connectadock.com)

[www.lobineando.com](http://www.lobineando.com)

## Tools Needed

1/2" (16 mm) Wrench or socket and ratchet

## Hardware Included

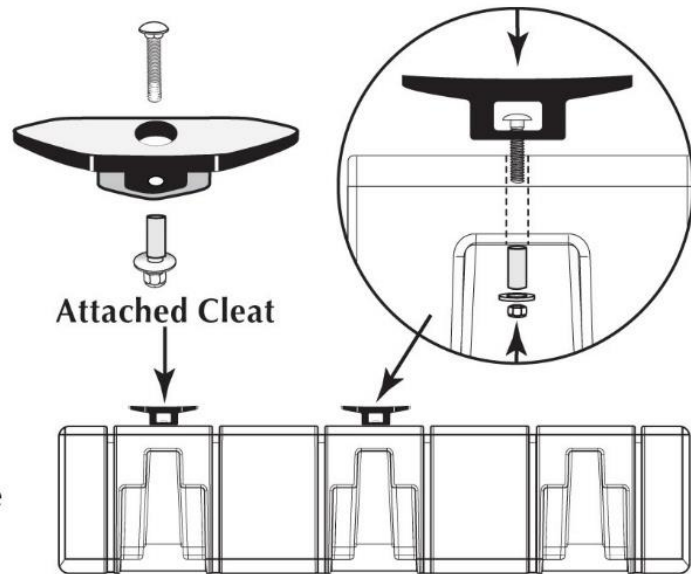
5/16" x 1-1/2" Carriage bolt  
(10 mm x 35 mm Hex bolt)  
5/16" Stainless steel nylon lock nut  
(10 mm Stainless steel nylon nut fastener)  
3/8" (10 mm) Washer  
Bushing

## Step 1

Attach cleat at any Float Section socket. Insert bolt through Cleat and top of Float Section socket. From inside the socket, place bushing and washer on bolt and screw on lock nut.

## Instructions for:

Cleat (8C1020), (8C1020M)



Note: To avoid losing hardware into water, install while on shore.

# Finishing & Accessory Connectors

[www.connectadock.com](http://www.connectadock.com)

1-877-742-3071

## Tools Needed

9/16" (16 mm) Socket wrench

## Hardware Included

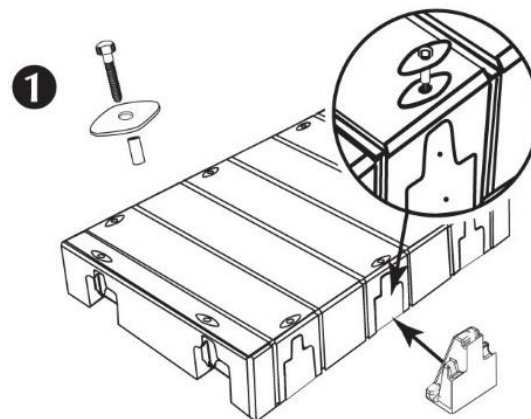
3/8" x 1-1/4" (10mm x 35 mm) Hex bolt  
Hex bolt  
Diamond washer  
Bushing

## Step 1

Install Finishing or Accessory Connectors into sockets where needed. Secure Connectors into sockets from top with bolts, washers, and bushings as shown. Tighten 1000 and 2000 Series Connectors to 25 lbs/ft (3.46 kg/m) of torque.

## Instructions for:

Finishing Connector (FC1000),  
(FC1000M), (FC2000), (FC2000M)  
Accessory Connector (AC1000),  
(AC1000M), (AC2000), (AC2000M)



Use Accessory Connectors to attach functional accessories to your floating dock.

Note: Check all bolts every three months or as needed to insure all connector hardware is securely fastened.

1501 Owner Avenue, Atlantic, IA 50022 USA

[ventas@lobineando.com](mailto:ventas@lobineando.com) / [info@lobineando.com](mailto:info@lobineando.com)





# 1000 Series (LP) Guardrail

[www.connectadock.com](http://www.connectadock.com)

[www.lobineando.com](http://www.lobineando.com)

## Tools Needed

9/16" Socket wrench  
*Not available in metric*

## Hardware Included

(2) 1000 Series (LP) Accessory Connectors  
(2) 3/8" x 3/4" Hex bolt  
(2) 3/8" Diamond washers

## Step 1

Using hex bolts and washers, attach both 1000 Series (LP) Accessory Connectors to Guardrail as shown.

## Step 2

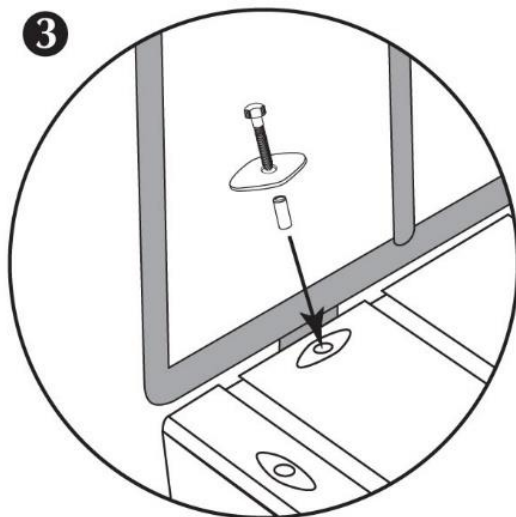
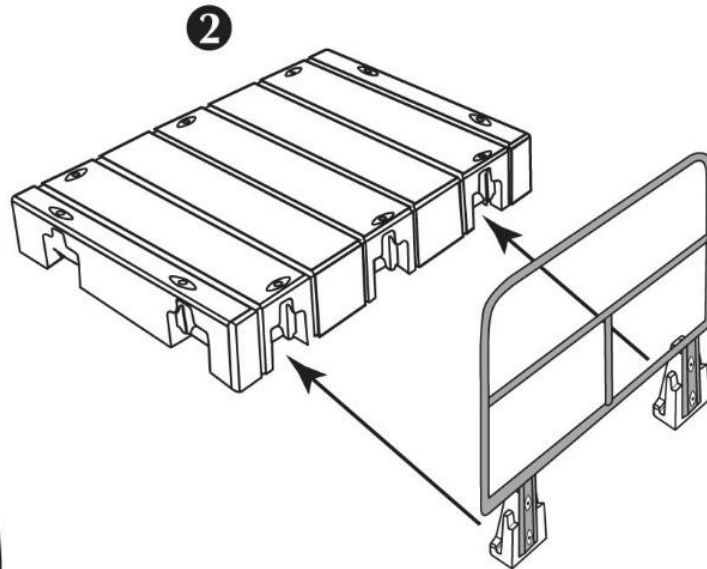
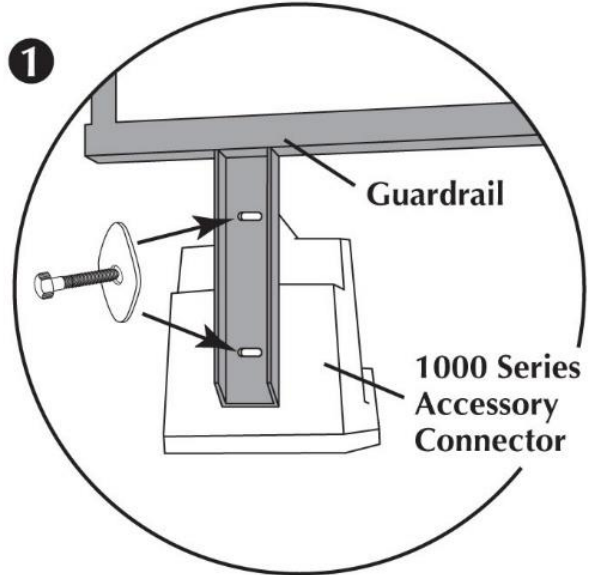
Install 1000 Series (LP) Accessory Connectors with attached Guardrail into sockets where needed.

## Step 3

Secure 1000 Series (LP) Accessory Connectors into sockets from top with bolts, washers, and bushings as shown. Tighten 1000 Series (LP) Accessory Connectors to 25 lbs/ft (3.46 kg/m) of torque.

## Instructions for:

Guardrails (GR1026), (GR1041),  
(GR1056)



Recommendation: To add more buoyancy and stability with Guardrail, use Extra Flotation under Float Section.

Note: Check all bolts every three months or as needed to insure all connector hardware is securely fastened.



1501 Owner Avenue, Atlantic, IA 50022 USA  
[ventas@lobineando.com](mailto:ventas@lobineando.com) / [info@lobineando.com](mailto:info@lobineando.com)

# Self Wicking Planter & Pole Connector

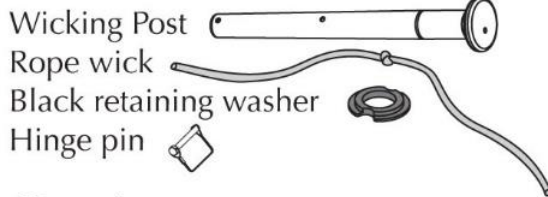
www.connectadock.com

www.lobineando.com

## Tools Needed

9/16" (16 mm) Socket wrench

## Hardware Included



## Step 1

Insert Wicking Post thru Planter from the top, making sure that it is fully seated in the bottom of the pot.

## Step 2

The rope wick has a long end and a short end, relative to the knot. Insert the short end of rope down thru the Planter/Wicking Post assembly thru the hole provided in the Wicking Post. The rope wick should slightly protrude from the bottom of the Wicking Post with the knot resting at the bottom of the Planter.

## Step 3

Insert Wicking Post through the Pole Connector.

## Step 4

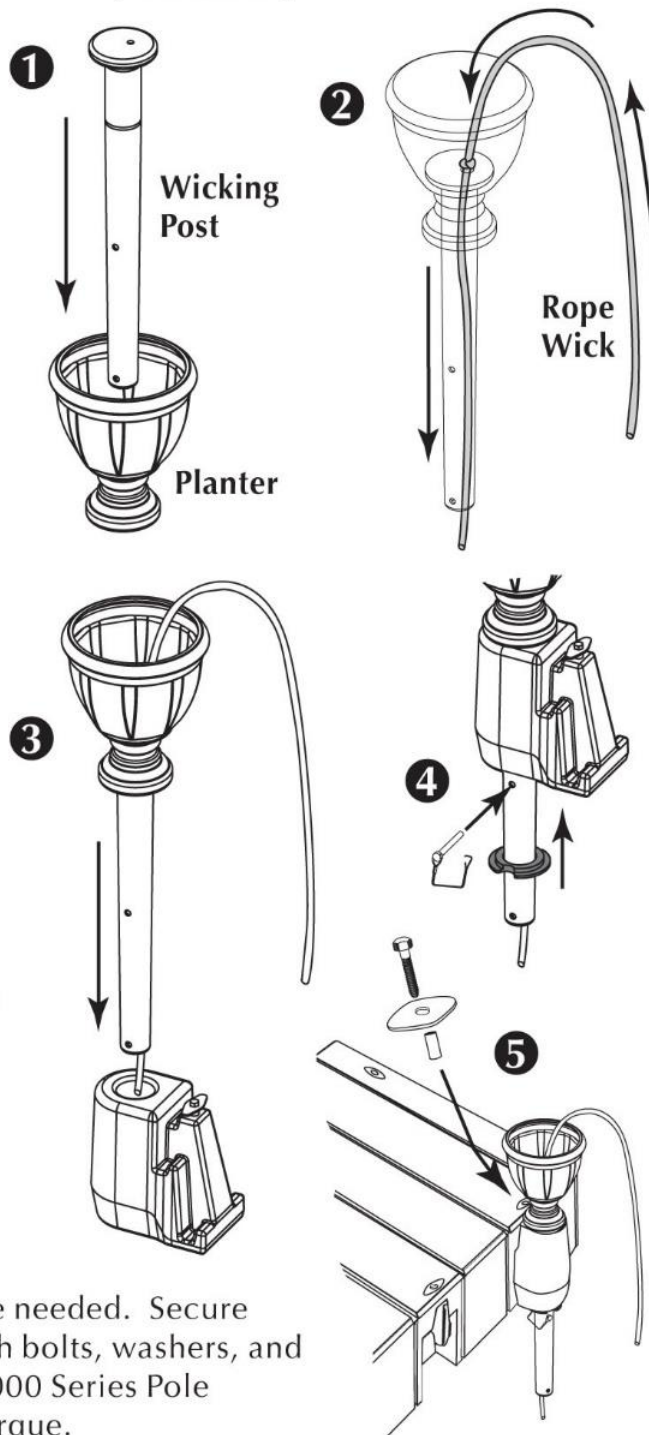
Slide the black retaining washer over the Wicking Post up to the bottom of the Pole Connector. Insert hinge pin through hole in Wicking Post. **Note: If your rope wick becomes unraveled and frayed at the ends, don't be concerned, it will still function as intended.**

## Step 5

Install Pole Connector into socket where needed. Secure Pole Connector into socket from top with bolts, washers, and bushings as shown. Tighten 1000 and 2000 Series Pole Connectors to 25 lbs/ft (3.46 kg/m) of torque.

## Instructions for:

Self Wicking Planter (SWP1020)  
1000 Pole Connector (PC1010),  
(PC1010M)  
2000 Pole Connector (PC2022),  
(PC2022M)





# Self Wicking Planter

www.connectadock.com

www.lobineando.com

**With your Planter assembly attached to your dock, you are now ready to fill your Planter with your favorite plants.**

## Instructions for:

Self Wicking Planter (SWP1020)  
Adding plants to installed Planter

### Step 6

While filling the Planter with potting soil, coil the rope wick up thru the soil along the sides of the pot. **Note: The rope wick should never be exposed above the soil as this will cause it to dry out. We recommend the last coil to be at least 1" (2.5 cm) below the soil's surface.**

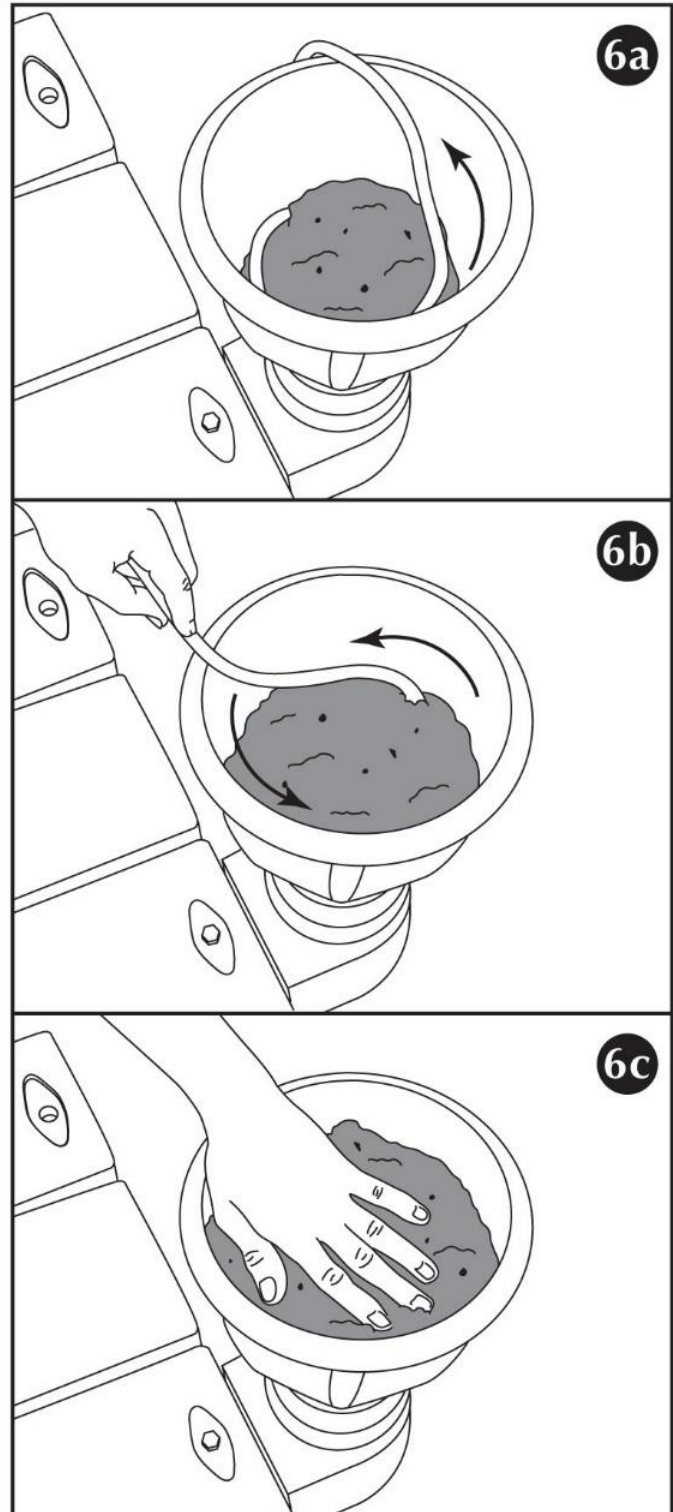
### Step 7

Add plants to Planter following the recommended planting instructions.

### Step 8

Jump start the wicking system by flooding the Planter with water. The excess water will drain out thru the bottom of the Planter and the rope wick. After the excess water has drained, the rope wick will always provide the correct amount of moisture for plants to thrive.

**Note: Although the soil may appear dry on the surface, the wicking system will always supply plants the moisture needed at the roots. Also, the wicking system will drain off the excessive water after a rain shower.**



**Note: Please exercise caution when using the planter in salt water environments. Check to make sure that the plants are salt water compatible before planting. If using in salt water, please check the wick for salt deposits and replace, if necessary.**



1501 Owner Avenue, Atlantic, IA 50022 USA

ventas@lobineando.com / info@lobineando.com



# 1000 & 2000 Series Edge Bumper

www.connectadock.com

www.lobineando.com

## Tools Needed

Drill - 1/8" (3.5 mm), 3/8" (9.5 mm) drill bit & 1" (25.5 mm) Wood bore bit  
White or light color marker  
9/16" (16 mm) Socket wrench  
Saw

## Materials Needed

4" x 3/8"-16 (10 cm x 10 mm) bolt, nut and washer -each hole drilled

## Step 1

Determine location of Edge Bumper. Cut Edge Bumper at the end of Float Sections if needed. Align with Dock edge and mark hole locations up thru float connector sockets. Straight Edge Bumper as needed to align with dock edge.

## Step 2

Drill the holes with 1/8" (3.5 mm) bit all the way thru the Edge Bumper.

## Step 3

(A) Counter sink the holes with 1" (25.5 mm) Wood bore bit 1" (25.5 mm) deep on opposite side of hole location marks.

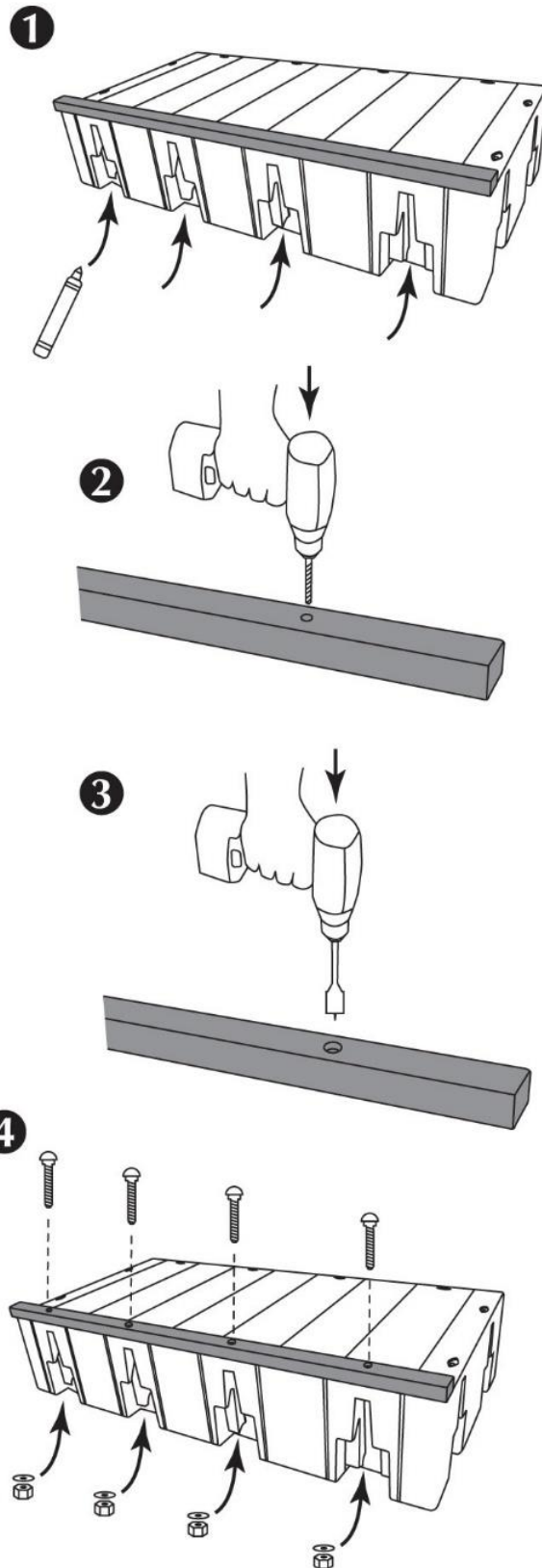
(B) Finish drilling holes with 3/8" (10 mm) bit all the way thru the Edge Bumper.

## Step 4

Place Edge Bumper on dock section and bolt into place. Tighten all bolts in the Edge Bumper using 25 lbs/ft (3.46 kg/m) of torque.

## Instructions for:

### Edge Bumper (EB1020)





# Pole Pounder & Pole Connector

www.connectadock.com

www.lobineando.com

## Tools Needed

9/16" (16 mm) Socket wrench

## Step 1

Determine the length of poles needed. Start with long poles and either drive further down or cut off tops after driving. Leave extra length above top of dock at high water elevation.

## Step 2

Slip the Pole Connector over the top of the pole. Attach the Pole Connector to the dock in the desired location. Secure Pole Connectors into sockets with bolts, washers, and bushings as shown. Tighten the bolts using 25 lbs/ft (3.46 kg/m) of torque.

## Step 3

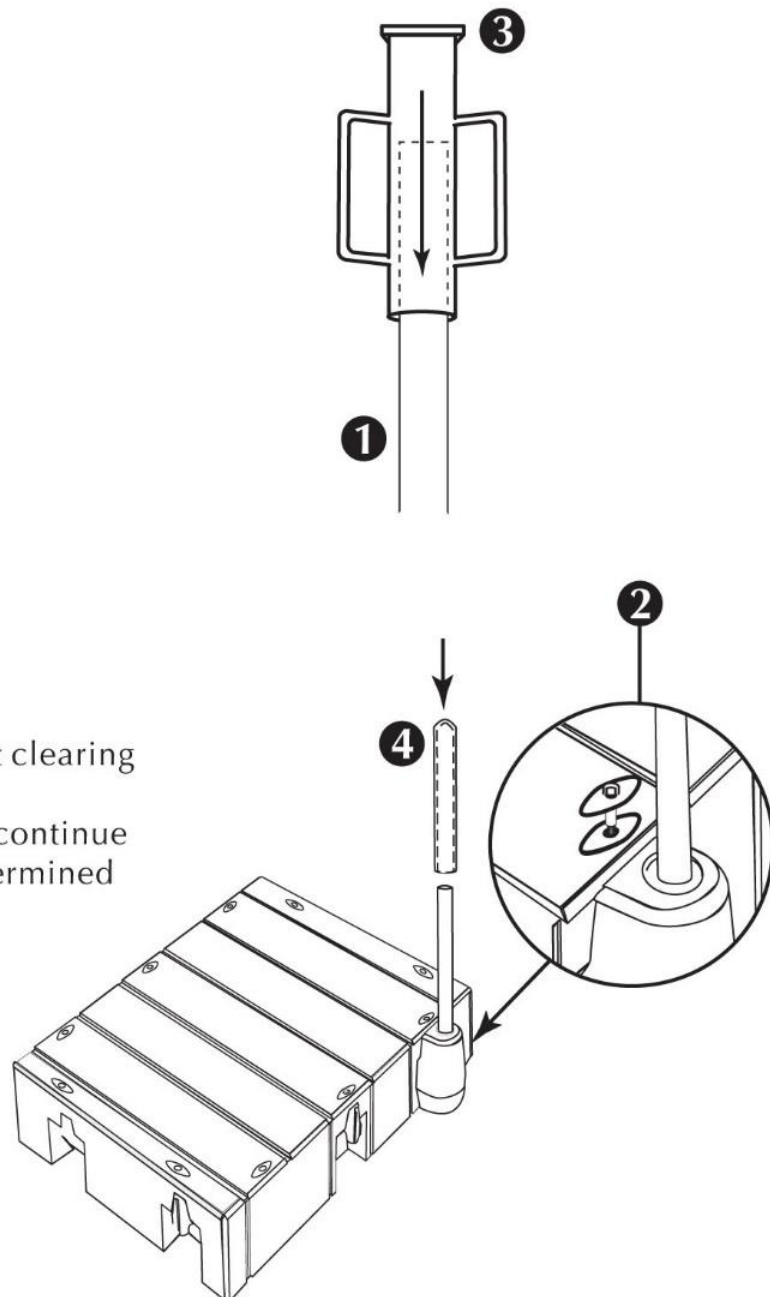
Slip the open end of the Pole Pounder over the top of the pole. Grab each of the handles and raise the Pole Pounder up without clearing the top of the pole. Strike down on the top of the pole, and continue striking the pole until the predetermined depth is reached. Pound almost to refusal.

## Step 4

Cover those unsightly 2" (5.08 cm) anchor pole tops by slipping the Pole Cover over the top of the pole.

## Instructions for:

Pole Pounder (PP1002)  
1000 Pole Connector (PC1010),  
(PC1010M)  
2000 Pole Connector (PC2022),  
(PC2022M), (PC2023),  
(PC2023M)  
Pole Cover (PC1002)



Note: Check all bolts every three months or as needed to insure all connector hardware is securely fastened.



1501 Owner Avenue, Atlantic, IA 50222 USA

ventas@lobineando.com / info@lobineando.com



# Pole Remover

[www.connectadock.com](http://www.connectadock.com)

[www.lobineando.com](http://www.lobineando.com)

## Note

See T-Post Puller instruction for handle installation.

## Recommendation

Two people make removing the poles easier.

## Step 1

Remove pole sleeve.

## Step 2

Wrap cable around pole 2 to 3 times and over lapping the cable at least ounce.

## Step 3

Insert loop thru other loop to create slip knot.

## Step 4

Insert the attachment loop over the puller point of the attachment as shown. *Note: Bolt doesn't have to be removed to attach cable loop.*

## Step 5

Slide cable down on the pole and position puller handle in the up location to create tension on the cable.

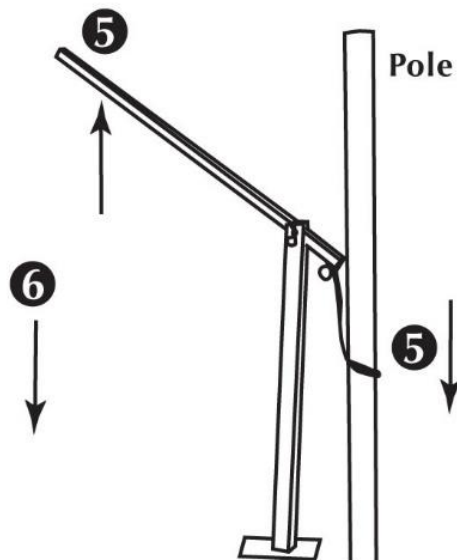
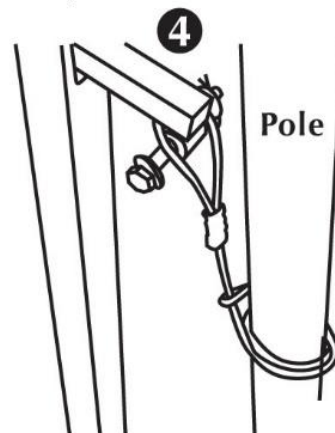
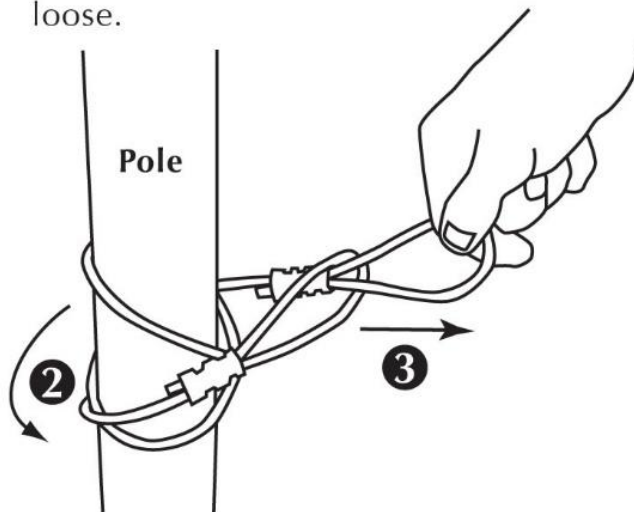
## Step 6

With cable tight push down on the handle.

Instructions for:  
Pole Remover (PR1002)

## Step 6

Repeat step 5 to 7 until pole is loose.





# Pole Auger & Pole Connector

www.connectadock.com

www.lobineando.com

## Tools Needed

Drill and 5/16" (8 mm) Oversized drill bit  
9/16" (16 mm) Socket wrench  
Dowel

## Hardware Included

5/16"-18 x 3" Stainless steel hex screw  
5/16" Stainless steel nylon lock nut  
*Not available in metric*

## Step 1

Determine the length of poles needed. Start with long poles and either drive further down or cut off tops after driving. Leave extra length above top of dock at high water elevation.

## Step 2

Insert the shaft of the auger into the lower end of the pole. Drill a hole all the way through the bottom of the pole and the shaft of the auger. Insert the hex screw provided and tighten with lock nut. Next, drill a hole all the way through the top of the pole.

## Step 3

Slip the Pole Connector over the top of the pole. Attach the Pole Connector to the dock in the desired location. Secure Pole Connectors into sockets with bolts, washers, and bushings as shown. Tighten the bolts using 25 lbs/ft (3.46 kg/m) of torque.

## Instructions for:

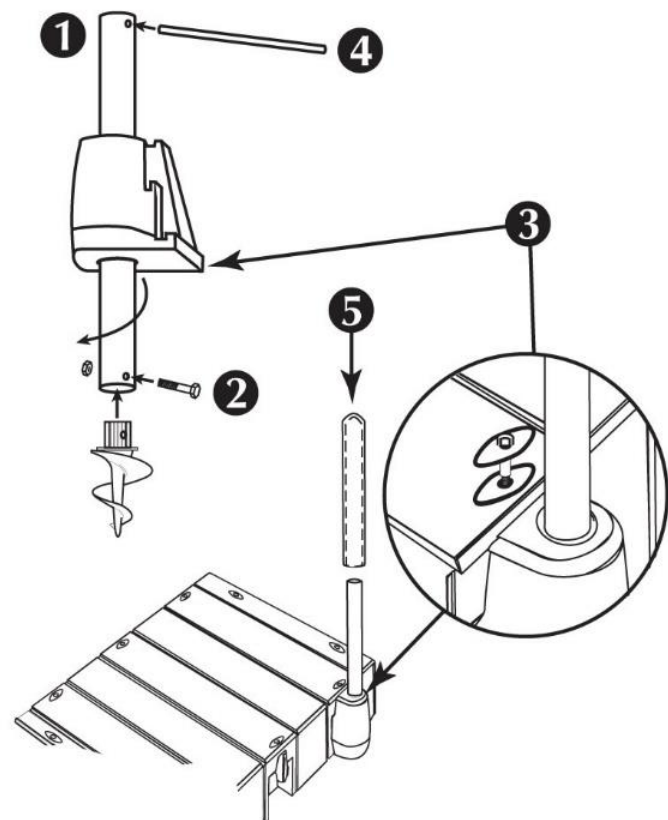
Pole Auger (PA1002)  
1000 Pole Connector (PC1010),  
(PC1010M)  
2000 Pole Connector (PC2022),  
(PC2022M), (PC2023),  
(PC2023M)  
Pole Cover (PC1002)

## Step 4

Insert a pin, dowel, or rod about 2' (60.96 cm) or longer into the previously drilled hole in the top of the pole. Turn clockwise to auger into the lake bed. To remove the pole, simply turn the pole counter clockwise.

## Step 5

Cover those unsightly anchor pole tops by slipping the Pole Cover over the top of the pole.



Note: Check all bolts every three months or as needed to insure all connector hardware is securely fastened.



1501 Owner Avenue, Atlantic, IA 50022 USA

ventas@lobineando.com / info@lobineando.com



# Dead Man Collar

[www.connectadock.com](http://www.connectadock.com)

[www.lobineando.com](http://www.lobineando.com)

## Tools Needed

9/16" (16 mm) Socket wrench  
Small long rope for holding docks to shore.

## Items Not Included

1/4" (6.35 mm) Chain  
3/8" x 3"-4" (10 mm x 10 cm) Bolt  
3/8" (10 mm) Lock nut  
(2) 3/8" (10 mm) Washers

## Step 1

Attach the Pole Connector to the dock in the desired location. Secure Pole Connectors into sockets with bolts, washers, and bushings as shown. Tighten the bolts using 25 lbs/ft (3.46 kg/m) of torque.

## Step 2

Slip the long end of the Dead Man Collar into the Pole Connector.

## Step 3

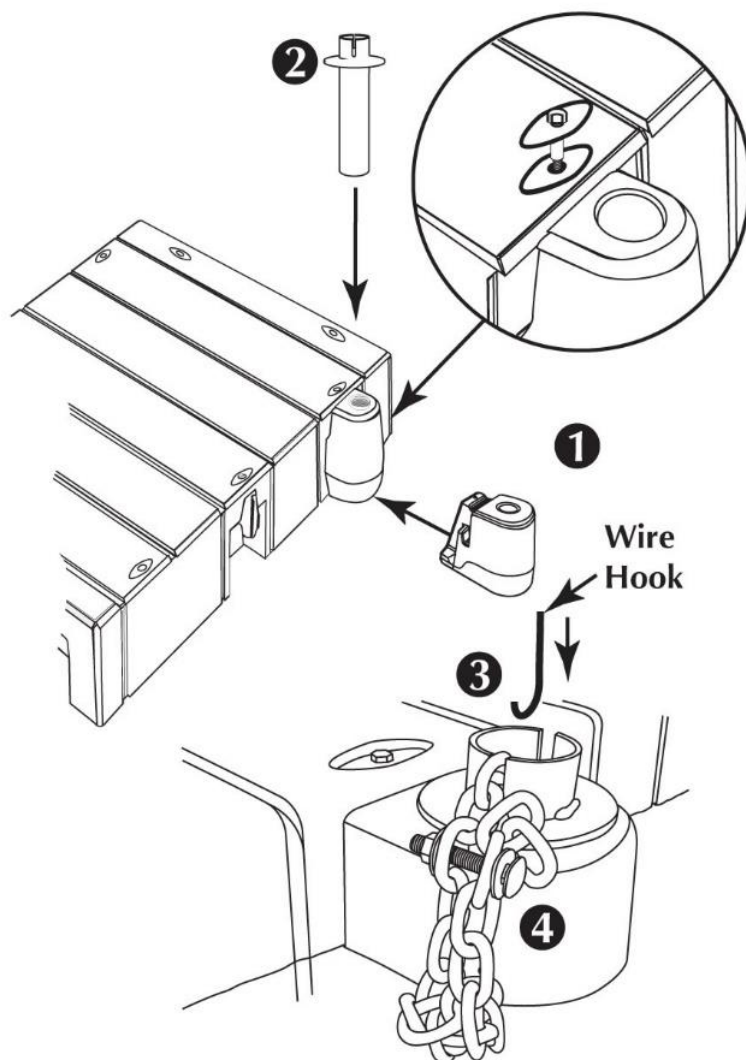
Insert a weighted chain through the bottom of the Dead Man Collar. (Note: Use a heavy gauge wire bent into a hook to reach through the Dead Man Collar to pull the chain up the center). Fasten the chain by setting a link in the groove in the top of the collar.

## Instructions for:

2" Dead Man Collar (DM1002)  
2" Dead Man Collar (DM2002)  
1000 Pole Connector (PC1010)&M  
2000 Pole Connector (PC2022)&M

## Step 4

With the extra chain hanging down the side Pole Connector, put a bolt with a washer at its head through a link. Repeat adding links on to the bolt every few links to make a ball. Make the chain ball big enough so the chain can't pass through the Dead Man Collar. Add the washer and nut to hold chain ball in place.



Note: Check all bolts every three months or as needed to insure all connector hardware is securely fastened.



1501 Owner Avenue, Atlantic, IA 50022 USA  
[ventas@lobineando.com](mailto:ventas@lobineando.com) / [info@lobineando.com](mailto:info@lobineando.com)



# Stiff Arm Fitting

www.connectadock.com

www.lobineando.com

## Tools Needed

- 1/2" (13 mm) Socket wrench
- 3/4" (19 mm) Socket wrench
- Long rope
- Drill and 1/2" (13 mm) bit

**Before you begin: Determine the layout and location of your dock. Use the rope to hold dock to shore.**  
**Note: The shore anchors need to be equal height and distance to the water for the Stiff Arms to work properly.**

## Hardware Included

- (3) 1/2" x 2-1/2" Hex screws
  - (3) 1/2" Stainless steel nylon self locking Hex nuts
  - (3) 1/2" Washers
- Not available in metric

## Hardware Needed

- (1) 2" id. (50Dn Sch 40) Galvanized pole
- (4) 1/2" x 3" (13 mm x 8 mm) Bolts
- (4) 1/2" (13 mm) Lock nuts
- (4) 1/2" (13 mm) Washers
- (2) 3/4" x 3-1/2" (19 mm x 9 cm) Bolts
- (2) 3/4" (19 mm) Lock nuts
- (2) 3/4" (19 mm) Washers

## Instructions for:

- Stiff Arm Bracket (SAB1020)
- Stiff Arm Fitting (SAF1020)

### Step 1

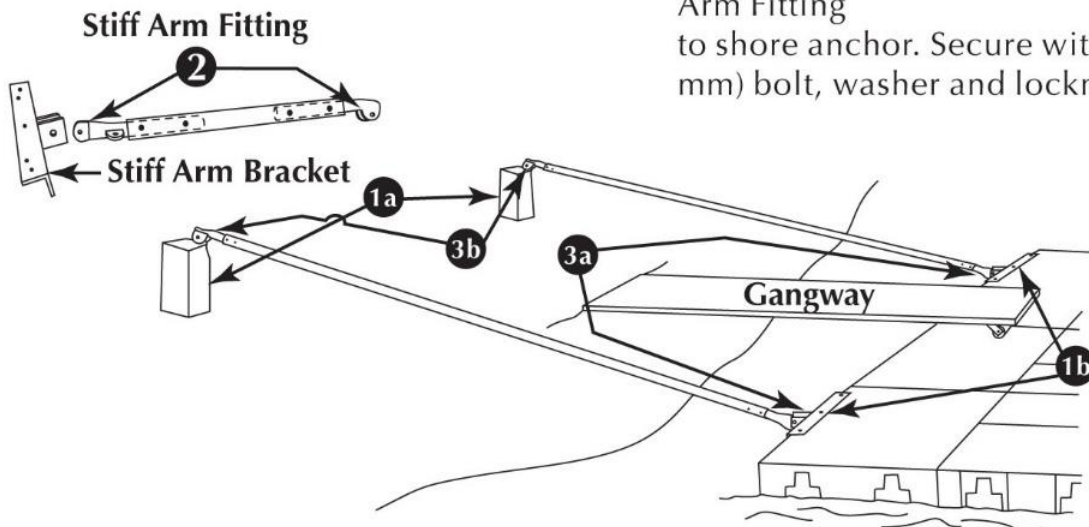
Have your shore anchor mounted in place (1a). Align Stiff Arm Bracket with shore anchor. Use 3 bolts for the 2000 Series docks and 2 bolts for the 1000 Series docks to align the holes in the Stiff Arm Bracket (1b).

### Step 2

Place Stiff Arm Fitting with single end 12" to 13" (30.5 cm -33 cm) into pole. Drill two holes at least 6" apart through Stiff Arm Fitting and pole. Use 1/2" x 3" (19 mm x 8 cm) bolts, washer and locknut to secure. Insert the double ended Stiff Arm Fitting in opposite end of pole. Make sure bolt holes for mounting to Stiff Arm Bracket and shore anchor are parallel.

### Step 3

Attach single ended Stiff Arm Fitting to Stiff Arm Bracket at dock. Secure with 1/2" (13 mm) bolt, washer and locknut (3a). Attach double ended Stiff Arm Fitting to shore anchor. Secure with 1/2" (13 mm) bolt, washer and locknut (3b).



# Deep Water Hardware

www.connectadock.com

www.lobineando.com

## Tools Needed

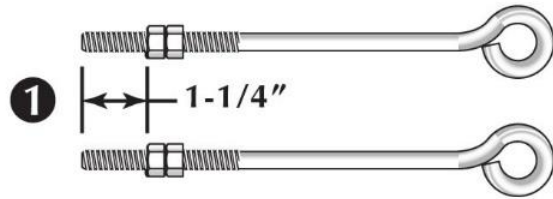
2-3/4" Wrench  
*Not available in metric*

## Hardware Included

(2) 12" Eye bolts  
(2) Diamond washers  
(2) 1/2" Washers  
(4) 1/2" Hex nuts  
(2) 1/2" Acorn nuts

## Instructions for:

Deep Water Hardware (DW1010)



## Step 1

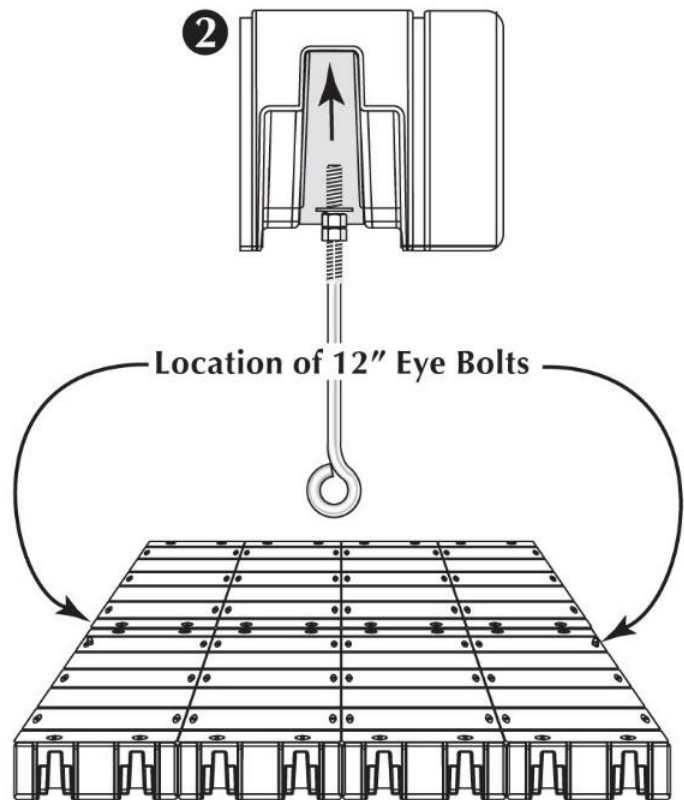
Thread two 1/2" nuts down about 1-1/4" on each eye bolt and tighten them against each other.

## Step 2

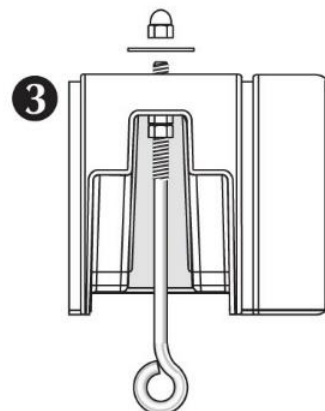
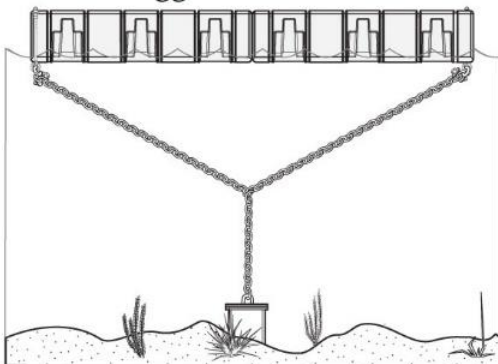
Place 12" eye bolts on opposite sides of platform or dock system. Add one 1/2" washer and insert eye bolt as shown.

## Step 3

Place washer and acorn nut on eye bolt and tighten. Attach your anchoring system to the eye bolts.



## Suggested Method



Note: Check all bolts every three months or as needed to insure all connector hardware is securely fastened.



1501 Owner Avenue, Atlantic, IA 50022 USA  
ventas@lobineando.com / info@lobineando.com



# Piling Loop

www.connectadock.com

www.lobineando.com

## Tools Needed

3/4" Deep socket wrench with  
4" extension

Long rope for holding docks to  
shore.

*Not available in metric*

**Before you begin: Determine the  
layout and location of your dock.  
Use the rope to hold the dock in  
place. When possible, install  
Piling Bracket on land.**

## Hardware Included

- (2) 3/8" x 4" Carriage bolts
- (6) 3/8" x 1-1/2" Carriage bolts
- (8) 3/8" Nuts
- (8) 3/8" Washers

## Step 1

Insert 1-1/2" carriage bolts up  
through bottom of Piling Loop  
Bracket. Place Roller Kit over  
the bolts secure with washers and  
nuts (**hand tighten only**).

## Step 2

Insert two 1-1/2" carriage bolts in  
the top holes on the side of the  
Piling Loop Bracket. Secure bolts  
with nuts (**hand tighten**). Lock  
bolt into place by fitting square  
on bolt into slot.

## Step 3

Set the Piling Loop Bracket on the  
edge of the dock. Align the holes  
for the series of dock installed  
**(1000 Series inner holes and 2000  
Series outer holes)**. Insert two  
4" carriage bolts. Secure with  
washers and nuts.

## Instructions for:

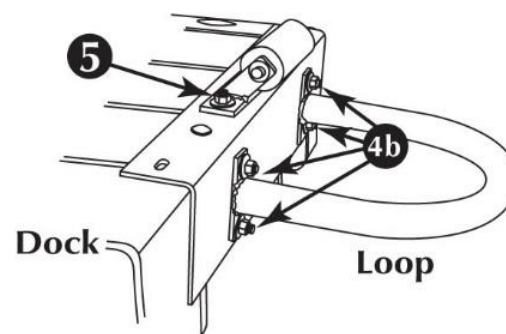
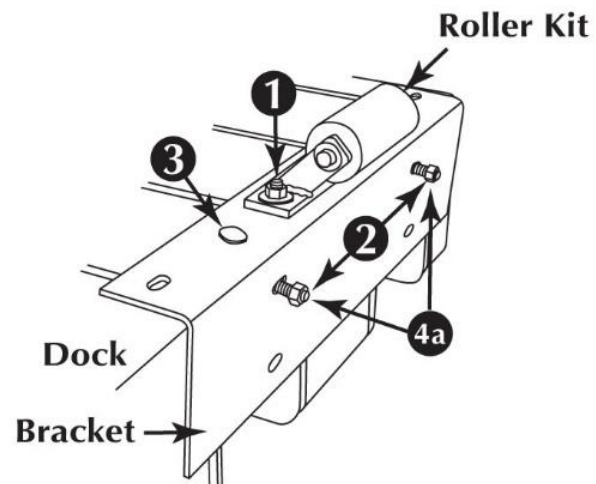
Piling loop (PL1010), (PL1012)  
(PL1014), (PL1016), (PL1018)

## Step 4

Remove the two nuts from the side  
of the Piling Loop Bracket, with the  
bracket secured to the dock the  
carriage bolts will be held in place  
(4a). Place the Piling Loop around the  
piling. Secure the top carriage bolts  
with washers and nuts. Insert the  
lower two 1-1/2" carriage bolts and  
secure with washers and nuts (4b).

## Step 5

Center the Roller Kit with the piling  
and tighten the nuts securely.



1501 Owner Avenue, Atlantic, IA 50022 USA

ventas@lobineando.com / info@lobineando.com



# Warranties

[www.connectadock.com](http://www.connectadock.com)

[www.lobineando.com](http://www.lobineando.com)



## CONNECT-A-DOCK® Warranty — USA & Canada

Connect-A-Dock Inc. warrants to the original owner all polyethylene plastic components for eight (8) years from date of purchase to be free of defects in material and workmanship and to perform properly under normal usage and when \*fully assembled according to the instructions provided at the time of purchase. All other accessories have a one (1) year limited warranty. \*Fully assembled: Install float connectors into all float section sockets where other float sections will be attached. For a copy of the Connect-A-Dock complete warranty call Connect-A-Dock.



## CONNECT-A-DOCK® Warranty — International

Connect-A-Dock Inc. warrants to the original owner all polyethylene plastic components for two (2) years from date of purchase to be free of defects in material and workmanship and to perform properly under normal usage and when \*fully assembled according to the instructions provided at the time of purchase. All other accessories have a one (1) year limited warranty. \*Fully assembled: Install float connectors into all float section sockets where other float sections will be attached. For a copy of the Connect-A-Dock complete warranty call Connect-A-Dock.



## CONNECT-A-PORT™ Warranty — USA & Canada

Connect-A-Dock Inc. warrants to the original owner all polyethylene plastic components for five (5) years from date of purchase to be free of defects in material and workmanship. For a copy of the Connect-A-Port complete warranty call Connect-A-Dock.



## CONNECT-A-PORT™ Warranty — International

Connect-A-Dock Inc. warrants to the original owner all polyethylene plastic components for two (2) years [one (1) year for commercial use] from date of purchase to be free of defects in material and workmanship. All other accessories have a one (1) year limited warranty. For a copy of the Connect-A-Port complete warranty call Connect-A-Dock.

Should you have a warranty claim, we may require that you provide a photograph or, in some cases, return the Connect-A-Dock part to the place of purchase. In order for warranty to be valid, original sales receipt must accompany warranty claim. NOTE: Shipping costs are not included in warranty.

NOTE: All plastic has an inherent tendency to create static electricity. If you have a concern, contact Connect-A-Dock.

1501 Owner Avenue, Atlantic, IA 50022 USA

1-877-742-3071 (toll free U.S.A. only) 1-712-243-2430

[ventas@lobineando.com](mailto:ventas@lobineando.com) / [info@lobineando.com](mailto:info@lobineando.com)